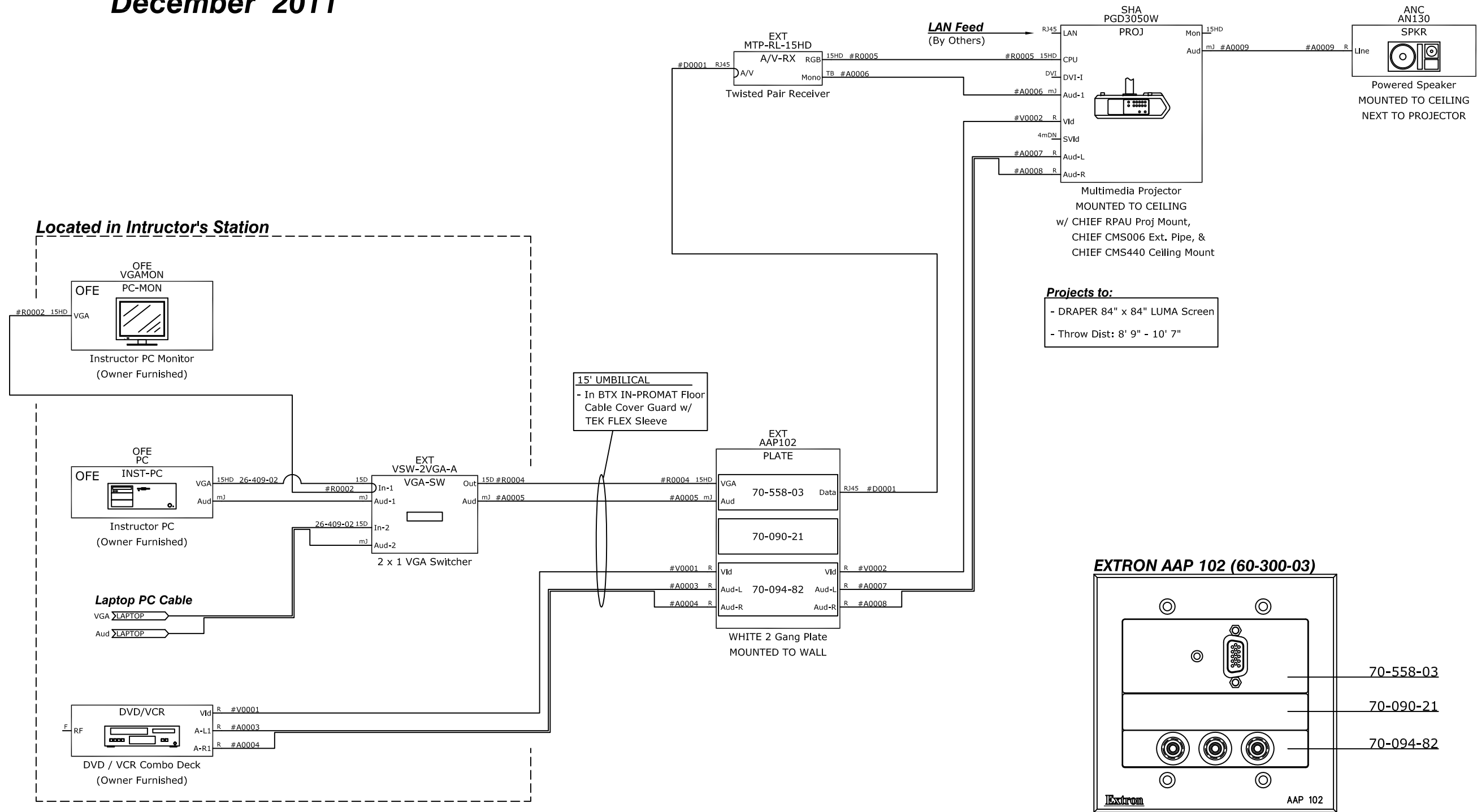
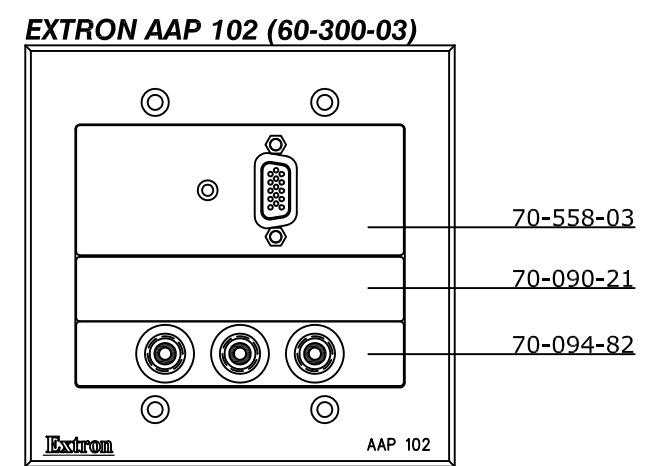


# Technology Enhanced Classroom Wall Plate w/ External Speaker Option Washtenaw Community College Media Services December 2011

**Notes:**  
- Run (2) Spare CAT5 Lines from Plate to Projector for FUTURE Use.



**Projects to:**  
- DRAPER 84" x 84" LUMA Screen  
- Throw Dist: 8' 9" - 10' 7"



**Technology Enhanced Classroom Equipment List**  
**Wall Plate w/External Speaker Option**

Manufacturer	SKU #	Description	Qty
<b>Required Equipment In Room</b>			
Sharp	PG-D3050W	Projector	1
Chief	RPA-U	Universal Mount	1
Chief	CMS006	6" Extension Pipe	1
Chief	CMS440	Ceiling Mount	1
Extron	60-758-01	VSW 2VGA A	1
Extron	26-490-02	6' Male to Male VGA Molded Connector w/Audio	2
WCC		Plate in ceiling with RJ45 LAN By others.	1
<b>Cabling In-Wall Plate-to-Projector Location</b>			
Belden	82761	Plenum Audio Cable, stereo for VGA & Aux Audio feeds	200 ft.
Belden	1506A	Plenum Composite Video coax, RG6	50 ft.
Belden	7987P	Plenum Category 5 Skew Free Wire (Three runs to projector) (1) for VGA Transmission and (2) for Future	150 ft.
Extron	100-334-01	RCA Male Connectors	6
Extron	100-331-01	3.5mm Stereo Mini Jack	2
Extron	26-238-14	Male to Male VGA Cable at Projector	1
<b>External Hanging Speaker</b>			
Anchor	AN130	Powered audio speaker, no RC	1
BTX	YAJ899B	6 ft. Stereo 3.5mm plug to (2) RCA plugs	1
Anchor	SB360W	White speaker bracket	1
<b>Wallplate for connection to Instructor's Station</b>			
Extron	60-300-03	Two-gang white mounting wall plate	1
Extron	70-558-03	Dual Space, White, VGA Twisted Pair Transmitter for VGA to Projector	1
Extron	60-690-01	VGA Twisted Pair Receiver, Located at Projector	1
Extron	70-090-21	Single space, white blank for future use.	1
Extron	70-094-82	Single space, white, RCA video, stereo audio, labeled.	1
Extron	26-643-20	AV RCA 20 20' 3-RCA cable	1
Extron	26-490-04	25ft VGA w/Audio cable	1
TechFlex	Flexo PET	Braided Expandable Sleeving (approx. 15 ft.)	1
BTX	IN-PROMAT	Over-floor Cable Cover	1

**Additional Notes for Vendors:**

1. All equipment with a serial number must be delivered to Media Services 5 business days prior to installation for inventory control purposes. Media Services will conduct inventory processing and make equipment available to vendor for installation after 5 business days.
2. Media Services must be presented with all instruction manuals and all remote control units for all equipment.
3. Vendor **MUST** use Chief RPA-U Universal Mount. **DO NOT** use Chief RPAU or any other Chief mount that uses keyed locks.
4. For Chief RPA-U Universal Mount, all Security Screws **MUST** be installed.
5. Do not connect Auto SW port on Extron VSW 2VGA A (Auto switch function).
6. Power supplies and Extron VGA Twisted Pair Receiver should be mounted above the drop ceiling and not resting on the projector.

# Technology Enhanced Classroom (a.k.a. "TEC Room") Signal Flowchart

## Wall Plate w/External Speaker Option

Washtenaw Community College Media Services

December 2011 Version 7

